

parts manual parts manual



QUICKIE®

**Shark**

 **SUNRISE  
MEDICAL**  
[www.sunrisemedical.com](http://www.sunrisemedical.com)

Improving People's Lives

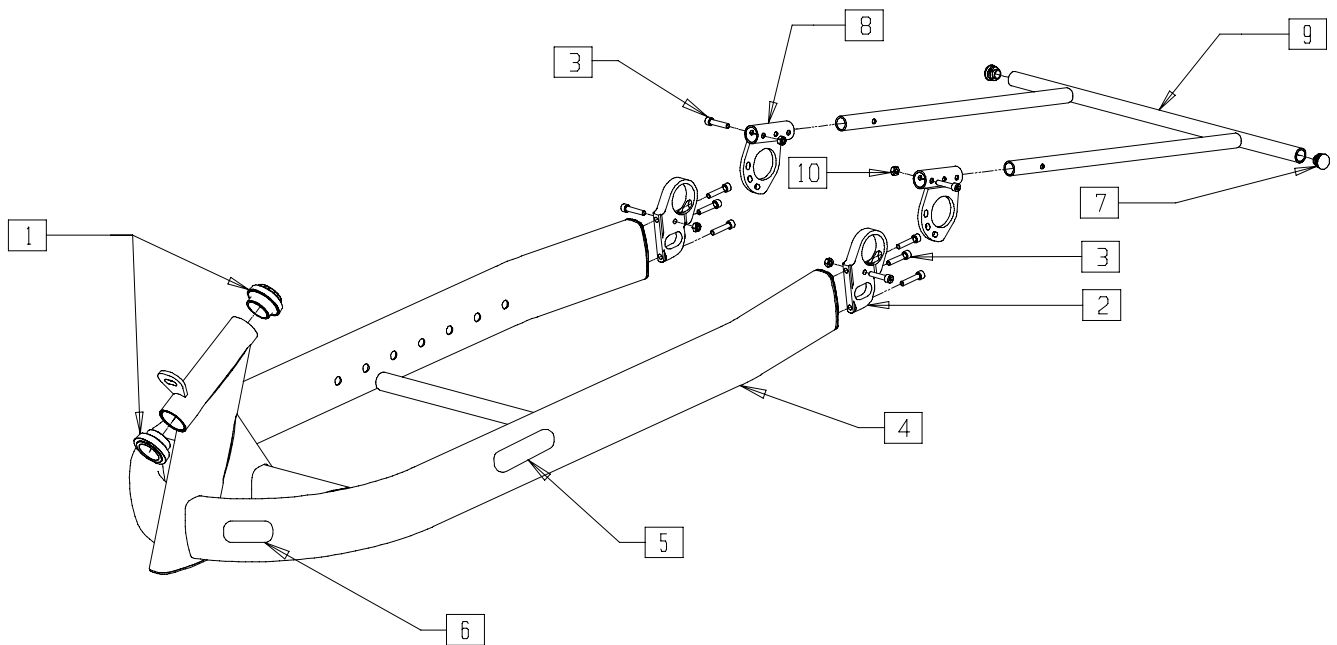
# Quickie Shark and Shark S

## IN THIS SECTION

Frame.....	1.1	Spindle Housing.....	1.13
X-Link Frame .....	1.2	Crank Shaft/ Chain Ring.....	1.14
Stand w/ X-link hinge .....	1.3	Handles.....	1.15
Stand for Removable Fork.....	1.4	Hub Shifter .....	1.16
Backrest High .....	1.5	Gearing System .....	1.17
Backrest Low .....	1.6	Gearing System and Brake .....	1.18
Back Tube.....	1.7	Brake.....	1.19
Steering Fork High.....	1.8	Drive Wheel w/External Cassette .....	1.20
Steering Fork Low.....	1.9	Drive Wheel w/Internal Cassette & Drum Brake ....	1.21
Footrest.....	1.10	Rear Wheel.....	1.22
Seat Upholstery .....	1.11	Front Fender and Light.....	1.23
Standard Crank.....	1.12	Rear Fender and Light.....	1.23
Special V-Crank .....	1.12		



# FRAME

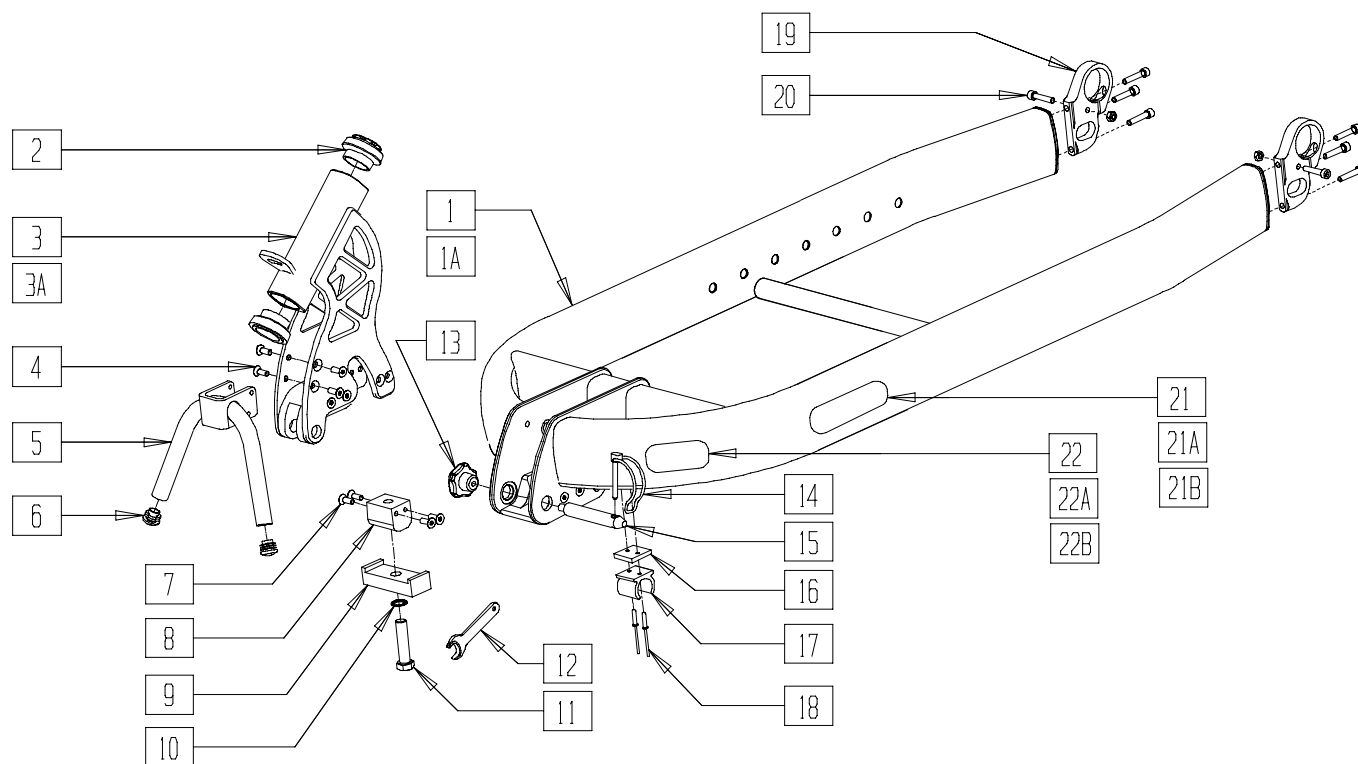


SHRXX14

ITEM	NUMBER	DESCRIPTION	QTY
1	000 228 300	HEADSET	1
2	471 812 013	AXLE BRACKET	2
3	000 102 012-ET	SOC. SCREW M 6 X 30 DIN 912	10
7	000 282 038-ET	LOUVERED CAP 20 MM	2
8	471 853 011, 471 753 011 (EA)	BUMPER BRACKET	1
9	471 812 302	BUMPER	1

ITEM	NUMBER	DESCRIPTION	QTY
10	000 128 007-ET	HEX NUT M 6 DIN 985	4
3,7-10	471 812 301	BUMPER 20" CPL.	
	471 812 308	BUMPER 26" CPL.	
1-6	471 812 200	FRAME SHARK, SHORT	
	471 812 209	FRAME SHARK - S, SHORT	
	471 812 201	FRAME SHARK - S, LONG	

# X-LINK FRAME

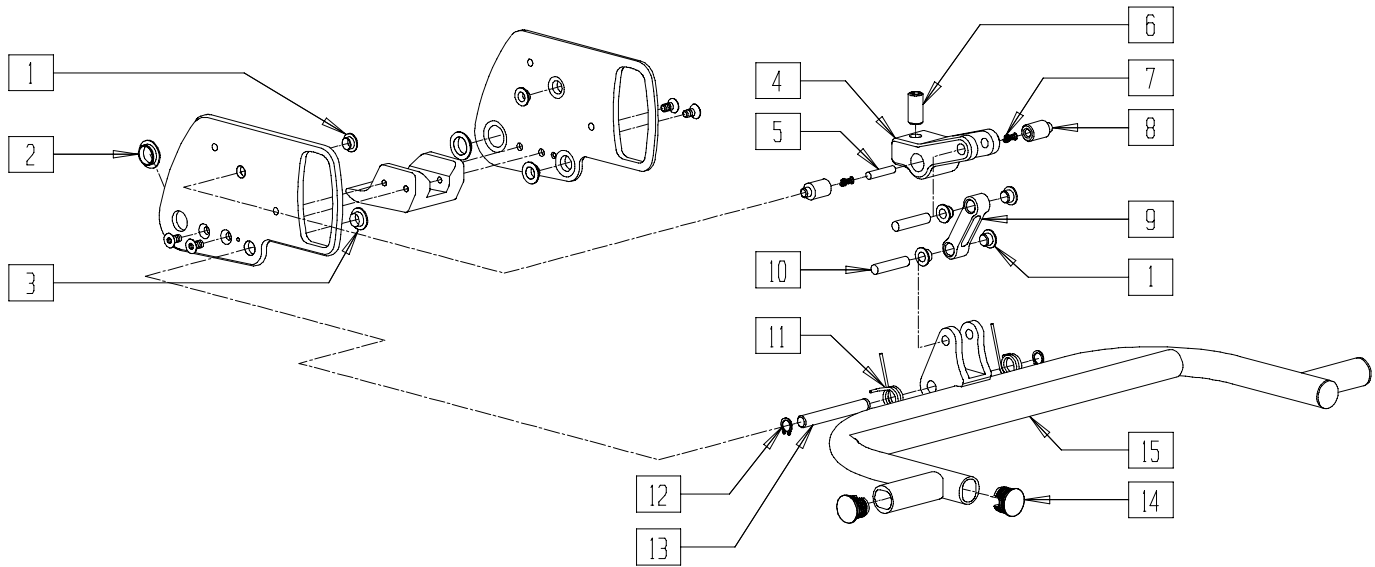


SHRXX24

ITEM	NUMBER	DESCRIPTION	QTY
2	000 228 300	HEADSET	1
3	471 812 040	STEERING HEAD REMOVABLE SHRK	1
3A	471 812 048	STEERING HEAD REMOVABLE SHRK S	1
4	000 104 026-ET	SCREW M6 X 12 DIN 7991	4
5	471 812 107	STAND FOR X-LINK FORK, BLACK	1
6	000 282 042-ET	CAP 18MM	2
7	000 104 029-ET	SCREW M X 20 DIN 7991	4
8	471 812 066	RECEIVER	1
9	471 812 067	BRIDGE	1
10	000 138 010-ET	SAFETYWASHER M12	1
11	000 120 202	HEX SCREW M 12 X 50 DIN 933	1
12	000 604 183	WRENCH SW 19 MM	1
13	000 233 034	STAR HANDLE DIN 6336	1
14	000 243 003	SAFETY CLIP	1

ITEM	NUMBER	DESCRIPTION	QTY
15	471 812 044	PIN	1
16	471 812 041	SPACER PLATE	1
17	300 833 005	CLAMP	1
18	000 144 013-ET	RIV NUT	2
19	471 812 013	AXLE BRACKET	2
20	000 102 012-ET	SOC. SCREW M 6 X 30 DIN 912	8
21	000 280 202	QUICKIE STICKER, SLVR LRG	1
21A	000 280 203	QUICKIE STICKER, BLK LRG	1
21B	000 280 206	QUICKIE STICKER, GLD LRG	1
22	000 280 204	SHARK STICKER	1
22A	000 280 211	SHARK STICKER, BLK	1
22B	000 280 212	SHARK STICKER, GLD	1
1,16-20	471 812 204	FRAME SHORT W/X-LINK	
1A,16-20	471 812 202	FRAME LARGE W/X-LINK	

# STAND WITH X-LINK HINGE

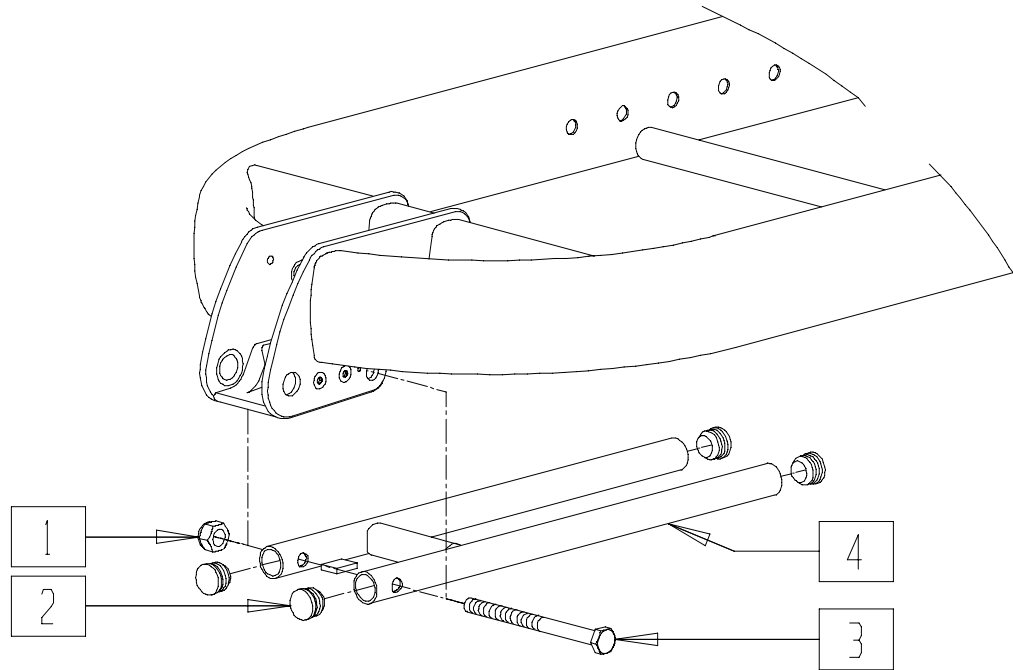


SHRKX25

ITEM	NUMBER	DESCRIPTION	QTY
1	000 282 121	BUSHING 8 X 10 X 5.5	4
2	000 282 123	BUSHING 10 X 12 X 7	2
3	000 282 122	BUSHING 15 X 17 X 9	2
4	471 812 033	HINGE	1
5	000 154 210	STEEL PIN 6H8 X 24 DIN 7	1
6	000 233 022	SCREW M12 X 30 DIN 913	1
7	000 242 011	SPRING 0.7 X 4.3 X 12.1 X 5.5	2
8	471 812 043	SPRING HOUSING	2

ITEM	NUMBER	DESCRIPTION	QTY
9	471 812 034	BONE	1
10	000 154 211	STEEL PIN 8H8 X 36 DIN 7	2
11	471 712 063, 471 812 063	SPRING (EA)	1
12	000 181 009	SAFETY RING 10MM DIN 471	2
13	471 812 042	SHAFT	1
14	760 827 007-ET	CAP 23MM	4
15	471 812 045	STAND W/ HINGE	

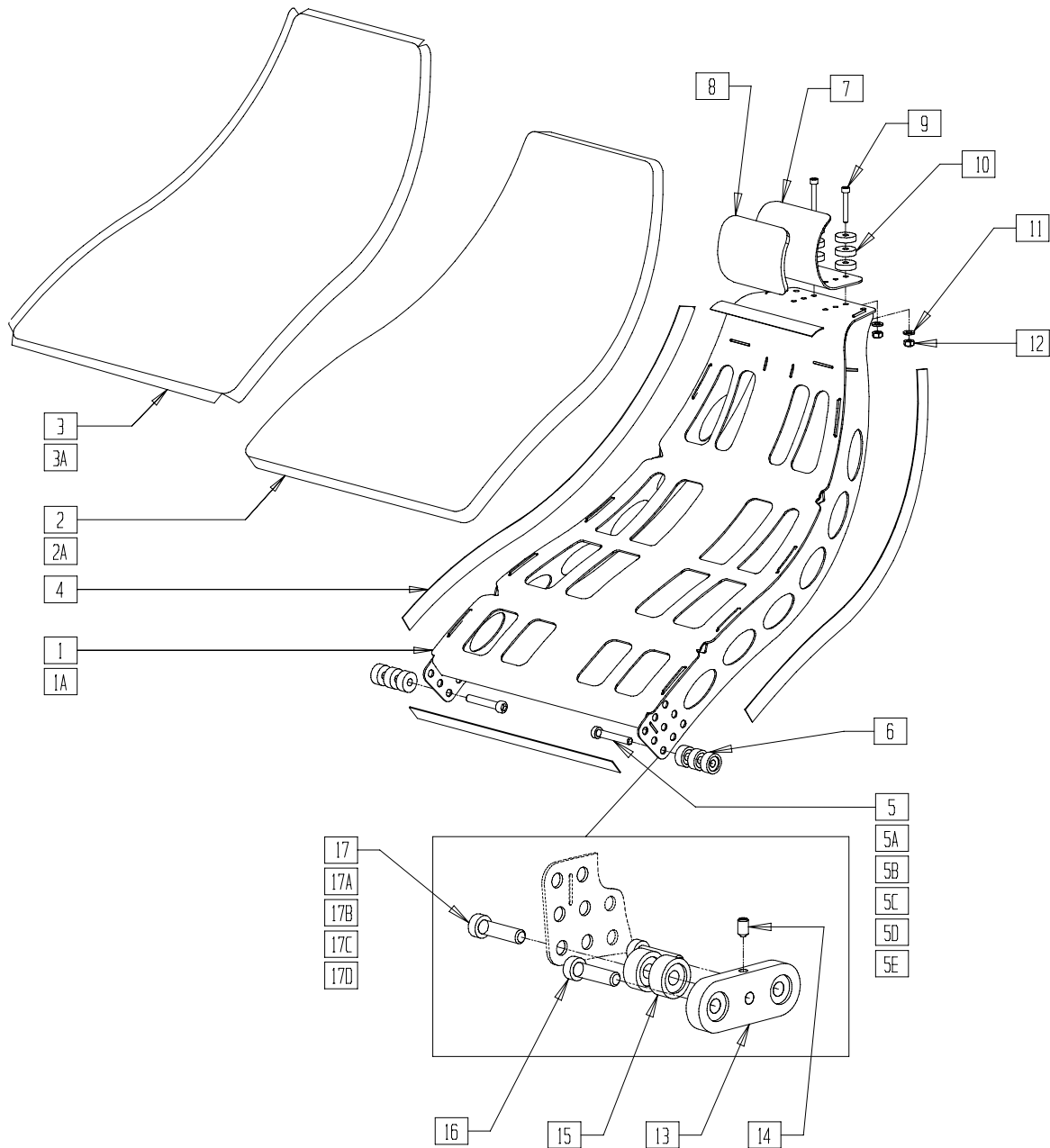
# STAND FOR REMOVABLE FORK



SHRXX26

ITEM	NUMBER	DESCRIPTION	QTY
1	000 128 016-ET	HEX NUT M12 DIN 985	1
2	760 827 007-ET	CAP	4
3	000 100 907	HEX SCREW M10 X 130 DIN 933	1
1-4	471 812 129	STAND FOR REMOVABLE FORK	

# BACK REST HIGH

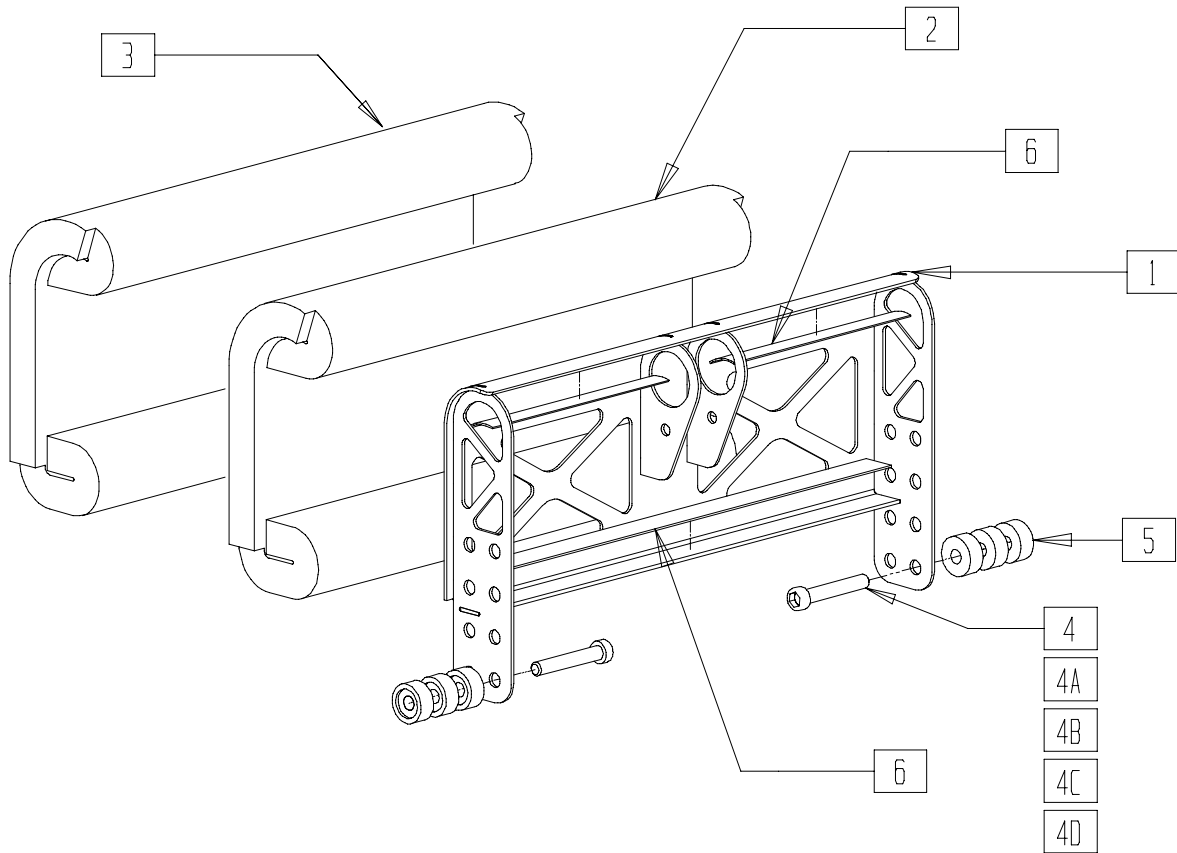


SHRXX15

ITEM	NUMBER	DESCRIPTION	QTY
1	471 841 010	BACKREST HIGH	1
1A	471 841 052	BACKREST MEDIUM	1
2	471 841 005	BACK CUSHION STD.	1
2A	471 841 091	BACKREST PAD	1
3	471 843 001	BACK COVER	1
3A	471 841 092	BACKREST COVER	1
4	471 843 002	SOFT STRIP 1515 MM	4
5	000 102 225-ET	SOC. SREW M 8 X 30 DIN 912 F. W: 36	2
5A	000 102 226-ET	SOC. SREW M 8 X 40 DIN 912 F. W: 38	2
5B	000 102 227-ET	SOC. SREW M 8 X 50 DIN 912 F. W: 40	2
5C	000 102 228-ET	SOC. SREW M 8 X 60 DIN 912 F. W: 42	2
5D	000 102 229-ET	SOC. SREW M 8 X 70 DIN 912 F. W: 44	2
5E	000 102 230-ET	SOC. SREW M 8 X 80 DIN 912 F. W: 46	2
6	471 841 016-ET	SPACER	2,4,6
7	471 841 018	NECK SUPPORT	1
8	471 841 031	NECK PAD	1

ITEM	NUMBER	DESCRIPTION	QTY
9	000 102 140-ET	SOC. SREW M 5 X 35 DIN 912 F. W: 36	2
10	622 842 003-ET	WASHER	6
11	000 130 111-ET	WASHER A 5,3 DIN 125	2
12	000128005.01-ET	HEX. NUT M 5 DIN 985	2
13	471 841 030	BACKREST BRACKET	2
14	000 102 231-ET	SET SCREW M 6 X 10 DIN 551	2
15	471 841 016-ET	SPACER	
16	000 102 225-ET	SOC. SREW M 8 X 30 DIN 912 F. W: 36	
17A	000 102 229-ET	SOC. SREW M 8 X 20 DIN 912 F. W: 36	
17B	000 102 225-ET	SOC. SREW M 8 X 30 DIN 912 F. W: 38	
17C	000 102 226-ET	SOC. SREW M 8 X 40 DIN 912 F. W: 40	
17D	000 102 227-ET	SOC. SREW M 8 X 50 DIN 912 F. W: 42	
17E	000 102 228-ET	SOC. SREW M 8 X 60 DIN 912 F. W: 44	
7-12	471 841 060	NECK SUPPORT CPL.	
	471 843 008	NECK COVER (NOT SHOWN)	

# BACKREST LOW



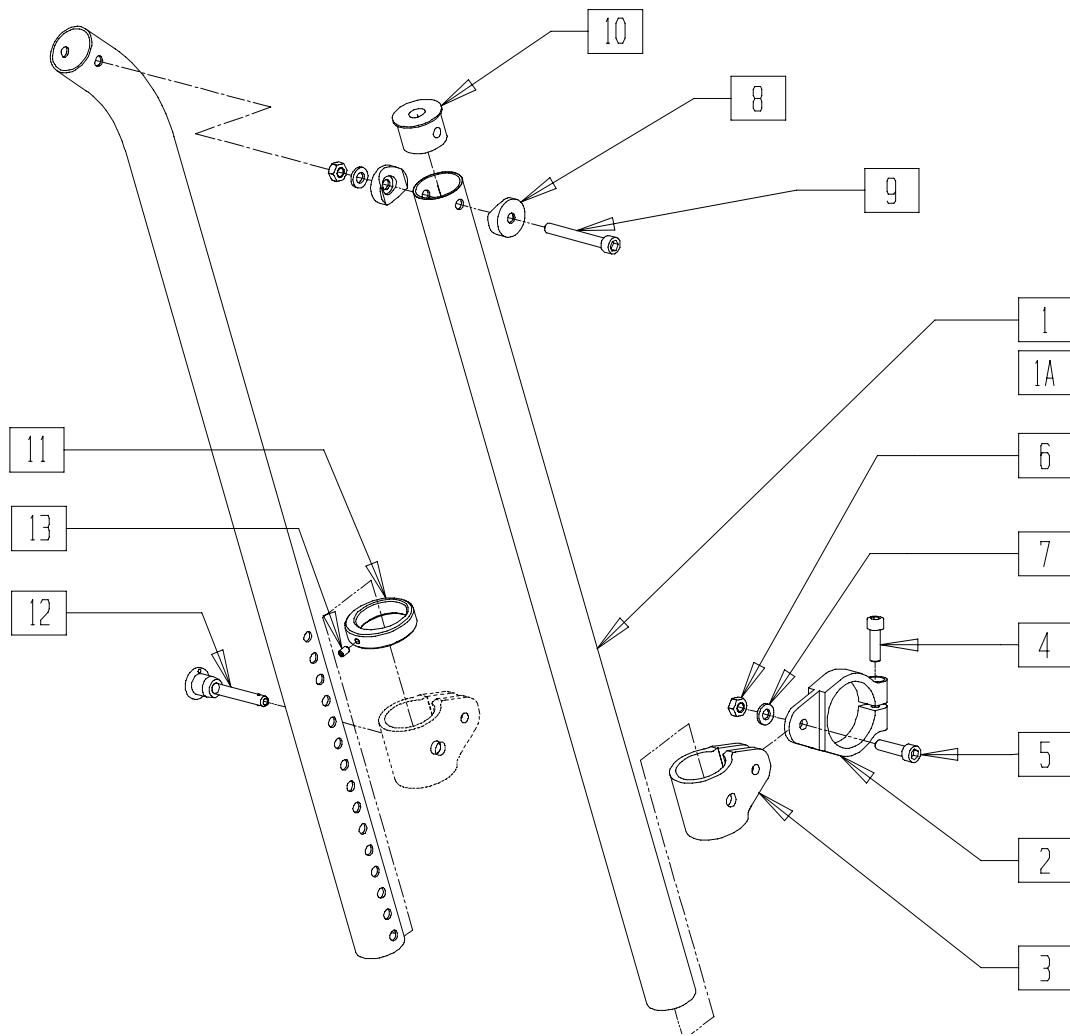
SHRKX16

ITEM	NUMBER	DESCRIPTION	QTY
1	471 841 020	BACK REST LOW	1
2	471 843 003	BACK PAD SMALL	1
3	471 843 004	BACK COVER	1
4	000 102 225-ET	SOC. SREW M 8 X 30 DIN 912 F. W: 36	2
4A	000 102 226-ET	SOC. SREW M 8 X 40 DIN 912 F. W: 38	2

ITEM	NUMBER	DESCRIPTION	QTY
4B	000 102 227-ET	SOC. SREW M 8 X 50 DIN 912 F. W: 40	2
4C	000 102 228-ET	SOC. SREW M 8 X 60 DIN 912 F. W: 42	2
4D	000 102 229-ET	SOC. SREW M 8 X 70 DIN 912 F. W: 44	2
5	471 841 016-ET	SPACER	6
6	471 843 005	SOFT STRIP 995 MM	1



# BACK TUBE

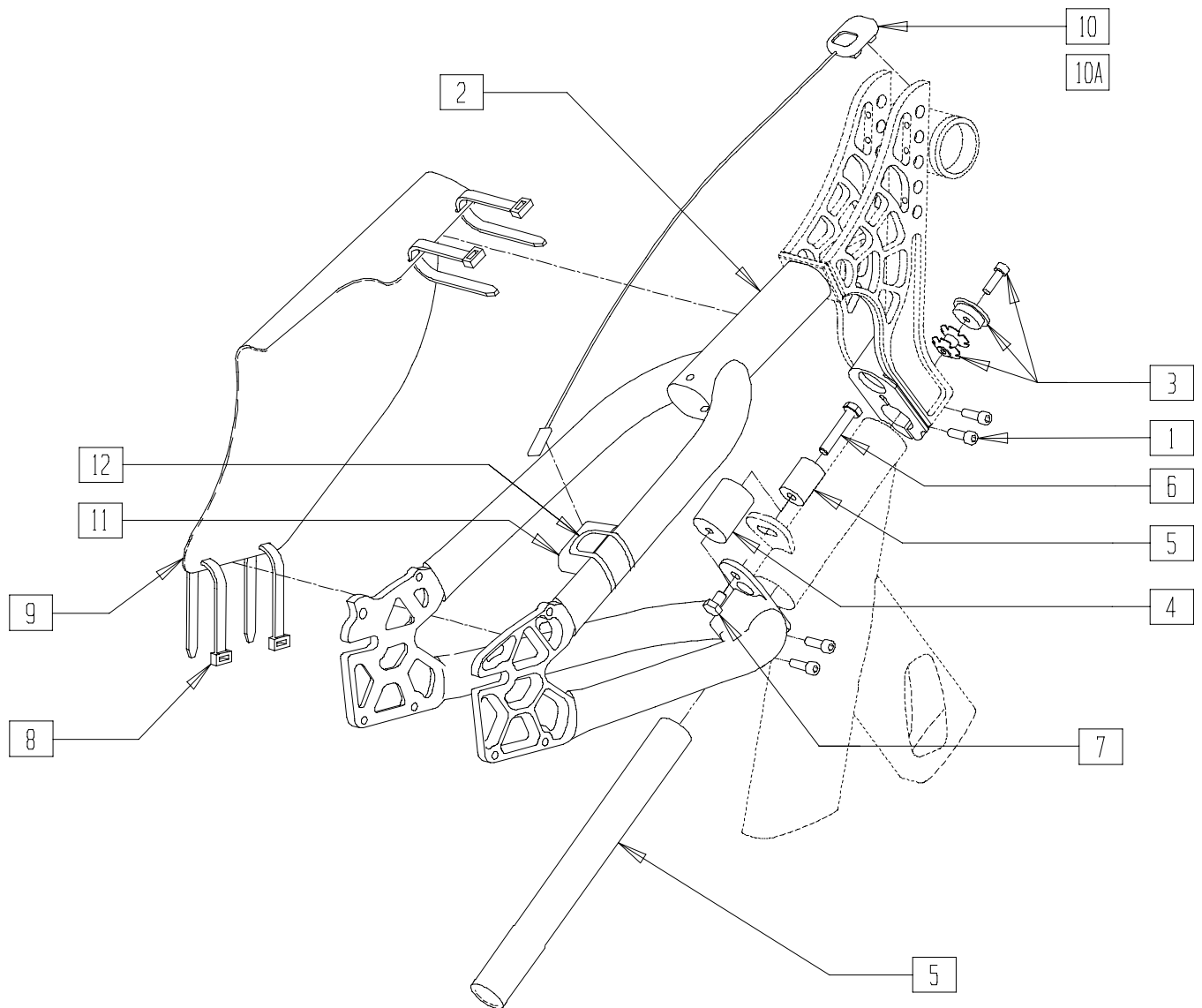


SHRXX17

ITEM	NUMBER	DESCRIPTION	QTY
1	471 841 025.02	BACKTUBE	1
1A	471 841 025.01	BACK TUBE	1
2	471 841 015	TUBE CLAMP	1
3	614 812 007	CLAMP	1
4	000 102 029-ET	SOC. SCREW M 6 X 20 DIN 912	1
5	000 102 006-ET	SOC. SCREW M 6 X 25 DIN 912	1
6	000 128 007-ET	HEX. NUT M 6 DIN 985	2

ITEM	NUMBER	DESCRIPTION	QTY
7	000 130 107-ET	WASHER A 6,3 DIN 125	2
8	000 831 232-ET	SADDLE	2
9	000 102 008-ET	SOC. SCREW M 6 X 50 DIN 912	1
10	471 841 017	PLUG	1
11	614 812 013	POSITIONING RING	1
12	000 243 001	QR AXLE	1
13	000 105 027-ET	SET SCREW M 4 X 6 DIN 914	1

# STEERING FORK HIGH

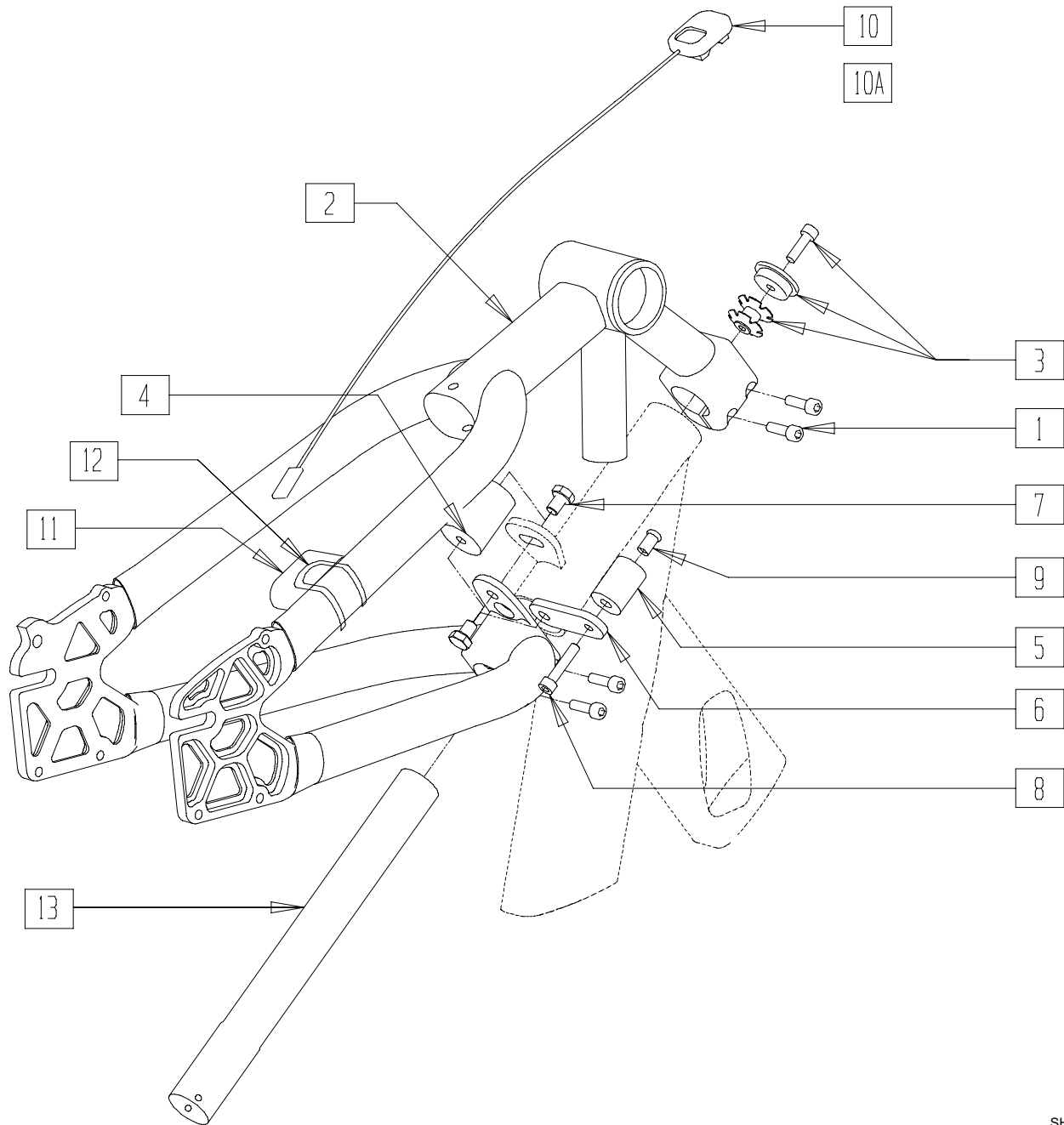


SHRXX04

ITEM	NUMBER	DESCRIPTION	QTY
1	000 102 029-ET	SOC. SCREW M 6 X 20 DIN 912	2
1,2	471 812 095	STEERING FORK HIGH	
3	000 228 300	HEADSET	1
4	000 282 111	DAMPER GMT-PUFFER, TYP C	1
5	471 861 002	CLAMP TUBE	1
6	000 100 036-ET	HEX. SCREW M 8 X 40 DIN 933	1
7	000 100 005-ET	HEX. SCREW M 8 X 16 DIN 933	1
3-7	471 812 096	STEERING TUBE	

ITEM	NUMBER	DESCRIPTION	QTY
8	000 280 010-ET	ZIP TIE 178 X 4,8 MM	4
8,9	471 812 097	CHAIN GUARD HIGH CPL.	1
10	000 228 004	SPORT COMPUTER	1
10A	000 228 006	SPEEDO METER	1
11	471 812 400	SENSOR SPACER	1
12	000 282 034	O-RING 70 X 2	1
10,11	471 812 014	SPORT COMPUTER CPL.	
10A,11	471 812 015	SPEEDO METER CPL.	

# STEERING FORK LOW

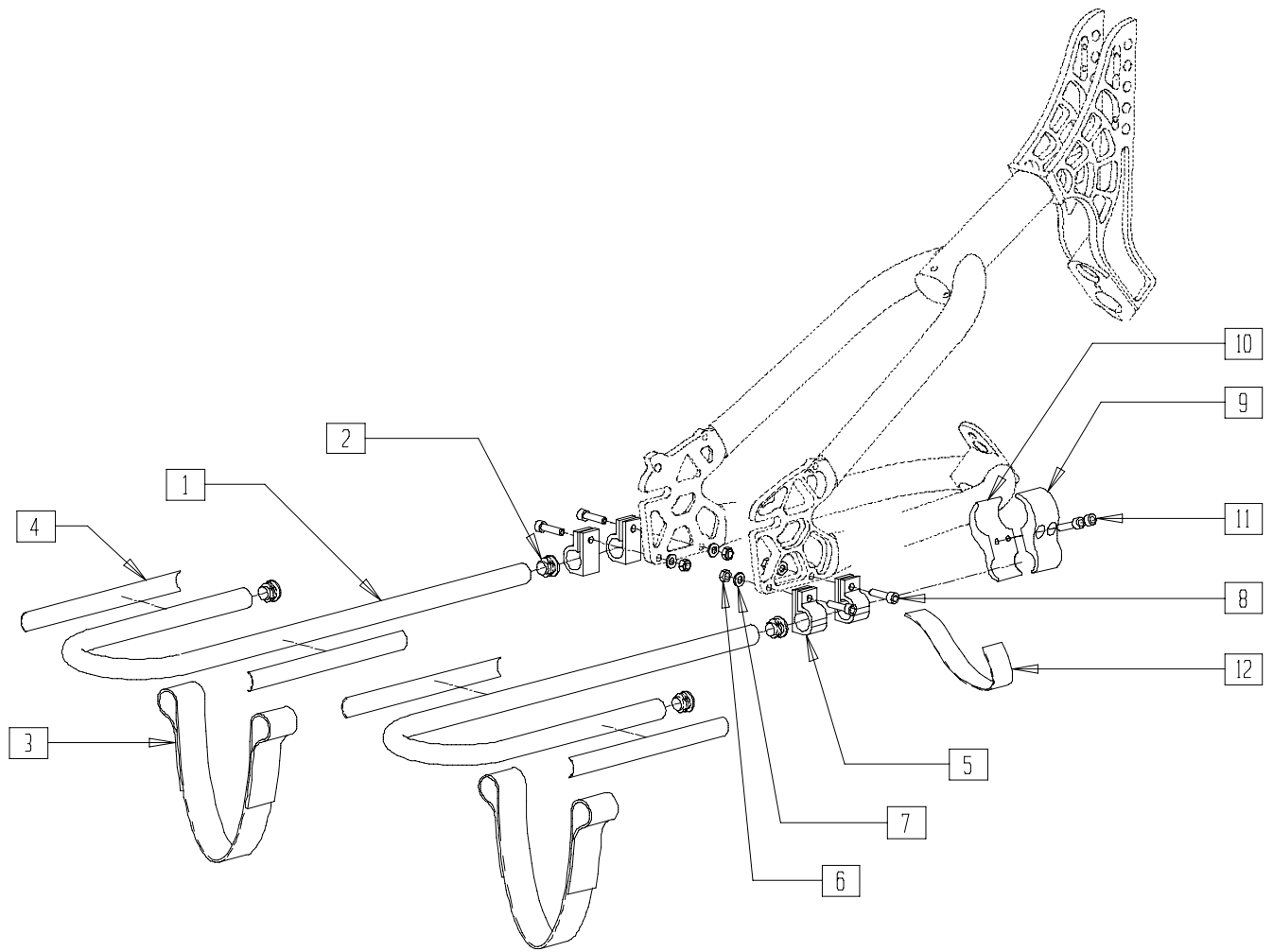


SHRXX05

ITEM	NUMBER	DESCRIPTION	QTY
1	000 102 029-ET	SOC. SCREW M 6 X 20 DIN 912	2
1,2	471 812 094	STEERING FORK LOW	
3	000 228 300	HEAD SET	1
4	000 282 111	DAMPER GMT-PUFFER, TYP C	1
5	471 861 002	CLAMP TUBE	1
6	471 861 003	BRAKE BRACKET	1
7	000 100 005-ET	HEX. SCREW M 8 X 16 DIN 933	2
8	000 102 012-ET	HEX. SCREW M 8 X 30 DIN 933	1

ITEM	NUMBER	DESCRIPTION	QTY
9	840 826 007-ET	SOCKET NUT	1
10	000 228 004	SPORT COMPUTER	1
10A	000 228 006	SPEEDO METER	1
11	471 812 400	SENSOR SPACER	1
12	000 282 034	O-RING 70 X 2	1
10,11	471 812 014	SPORT COMPUTER CPL.	
10A,11	471 812 015	SPEEDO METER CPL.	
3-9,13	471 812 093	STEERING TUBE	

# FOOTREST

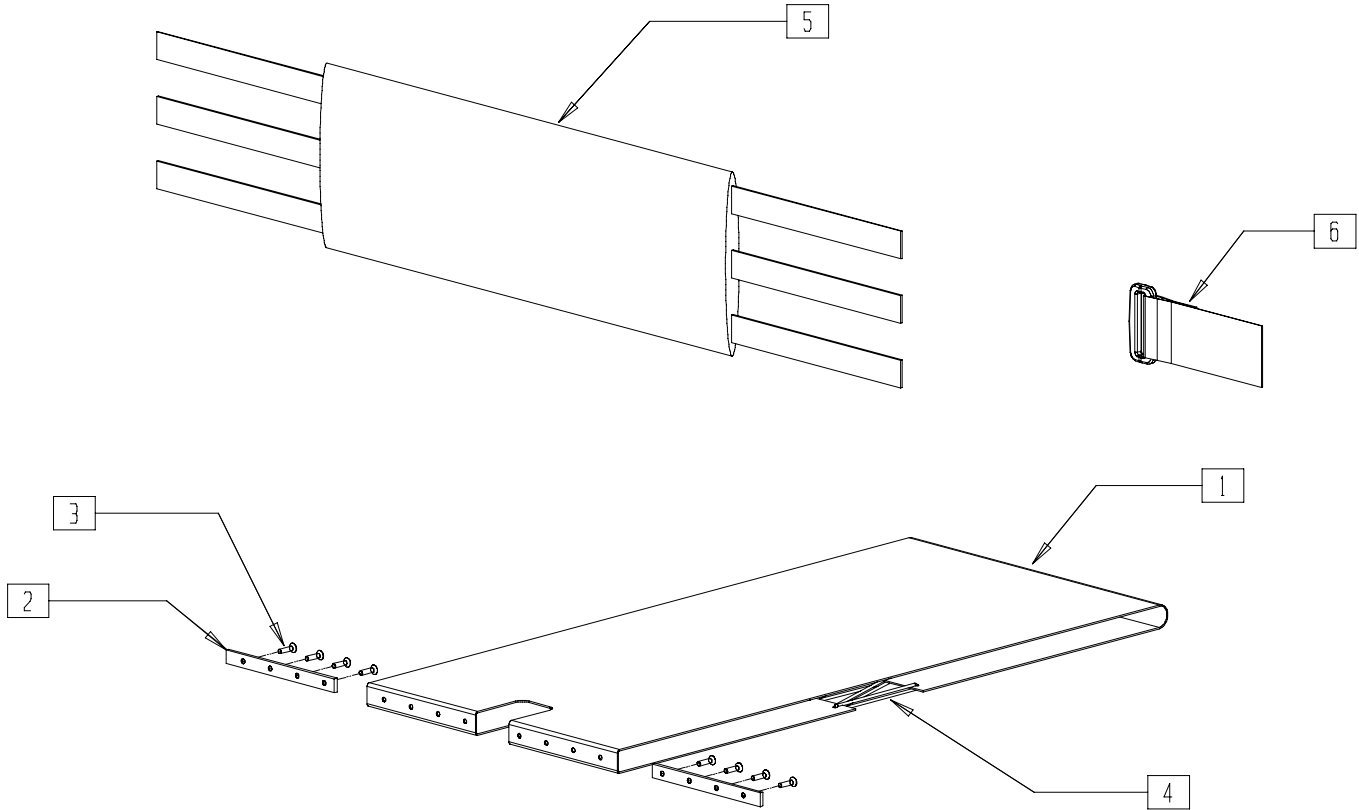


SHRXX03

ITEM	NUMBER	DESCRIPTION	QTY
1	470 821 200	FOOT REST	2
2	000 282 042-ET	LOUVERED CAP 18,7 MM	4
3	470 821 003	VELCRO FOOT STRAP	2
4	615 840 012	SOFT STRIP 200 MM	4
5	471 821 001	FOOT REST CLAMP	4
6	000 128 007-ET	HEX NUT M 6 DIN 985	4
7	000 130 109-ET	WASHER A 6,4 DIN 125	4

ITEM	NUMBER	DESCRIPTION	QTY
8	000 102 006-ET	SOC. SCREW M 6 X 25 DIN 912	4
9	615 821 002	CLAMP INSIDE	2
10	615 821 003	CLAMP OUTSIDE	2
11	000 102 006-ET	SOC. SCREW M 6 X 25 DIN 912	4
12	615 840 008.01	STRAP TO FIX LEGS TO FORK	2
1-8	470 821 201	FOOT REST FOR LONG LEGS CPL.	
1-4,9-11	470 821 202	FOOT REST FOR SHORT LEGS CPL.	

# SEAT UPHOLSTERY

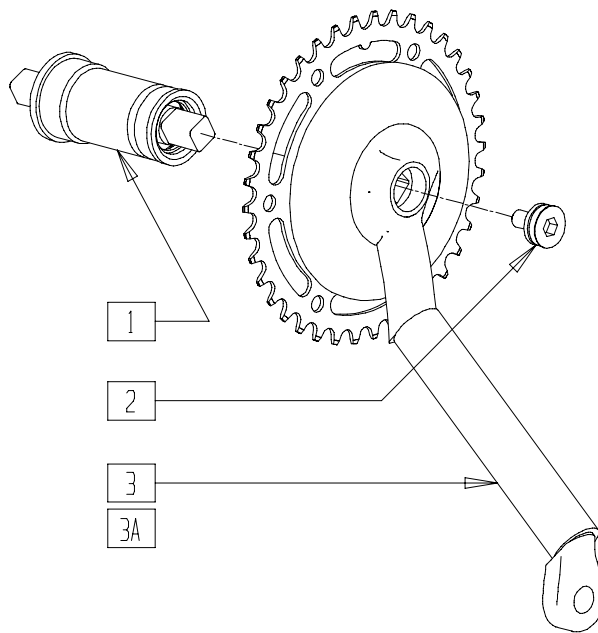


SHRKX21

ITEM	NUMBER	DESCRIPTION	QTY
1	471 832 001	SEAT UPHOLSTERY	1
2	471 832 002	SEAT RAIL	2
3	000 104 083-ET	SET SCREW M 5 X 10	8
4	000 067 020	CORD	1

ITEM	NUMBER	DESCRIPTION	QTY
5	471 841 041	HIP BELT	1
6	471 841 040	HIP BELT HOLDER	1
5,6	470 841 042	HIP BELT CPL.	

# STANDARD CRANK

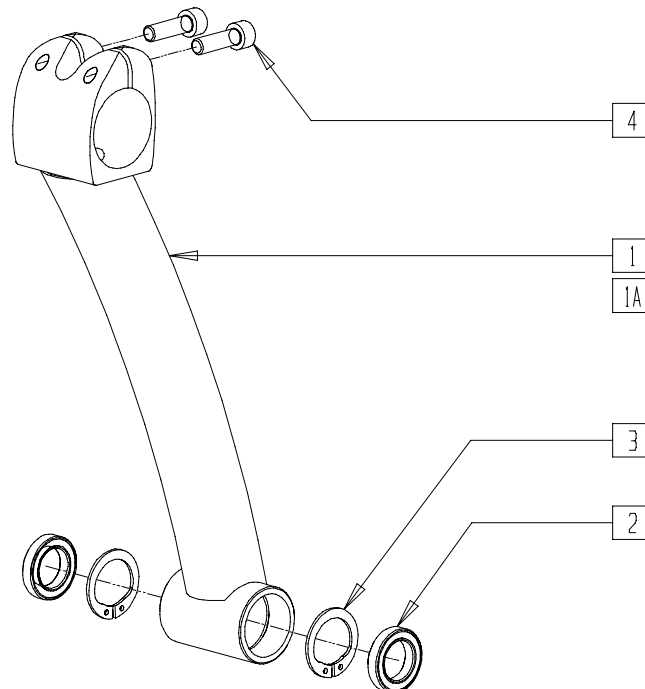


SHRXX09

ITEM	NUMBER	DESCRIPTION	QTY
1	000 228 062	SPINDAL ASSY.	1

ITEM	NUMBER	DESCRIPTION	QTY
1-3	000 228 102	STANDARD CRNK F. 7-SPD L=175 MM	
1-3A	000 228 103	STANDARD CRNK F. 3 X 9-SPD L= 175 MM	

# SPECIAL V-CRANK

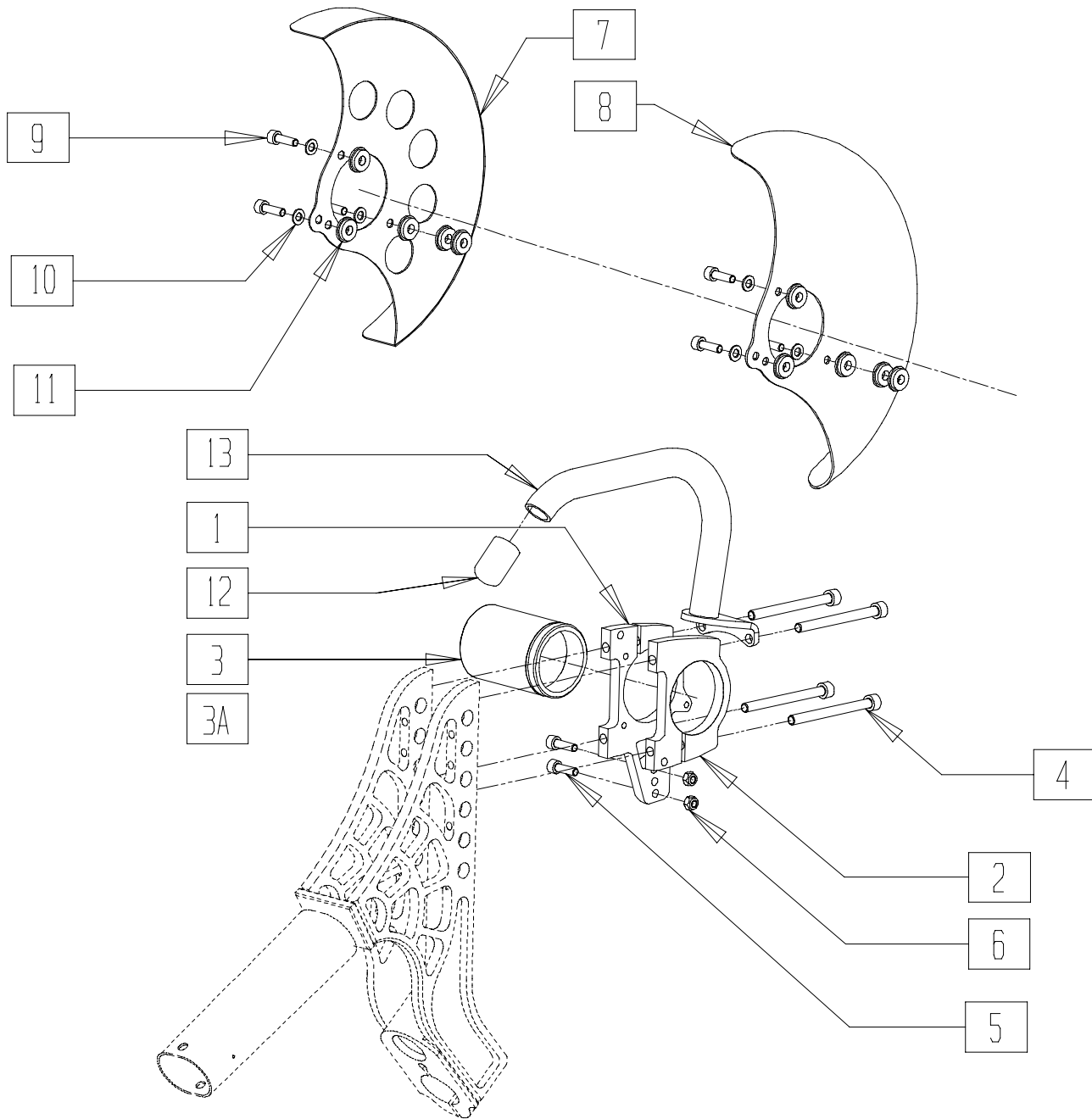


SHRXX10

ITEM	NUMBER	DESCRIPTION	QTY
2	000 210 016	BALL BEARING 24 X 15 X 5 / 61802 2RS	2
3	000 181 006-ET	SECURING RING 24 MM DIN 472	2
4	000 121 029-ET	SOC. SCREW M 6 X 20 DIN 912	2

ITEM	NUMBER	DESCRIPTION	QTY
1-4	471 854 001	SPECIAL V-CRANK RIGHT	
1A-4	471 754 001	SPECIAL V-CRANK LEFT	

# SPINDLE HOUSING

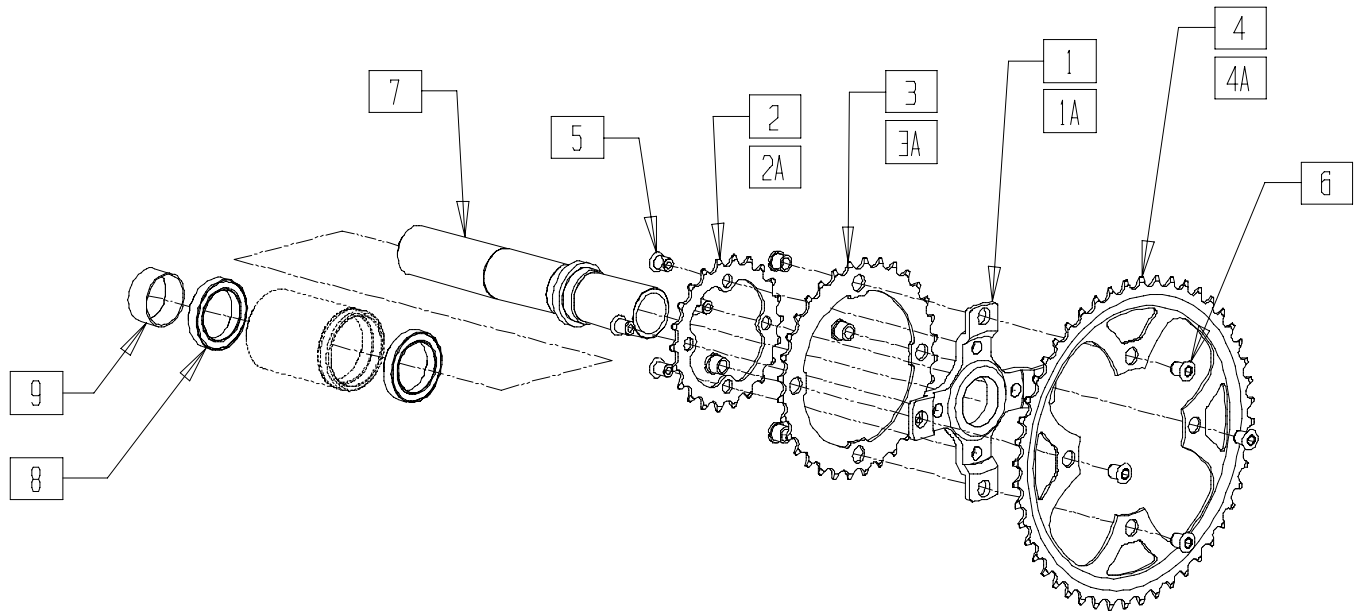


SHRXX06

ITEM	NUMBER	DESCRIPTION	QTY
1	471 712 057	SPINDAL CLAMP LARGE	1
2	471 812 057	SPINDAL CLAMP SMALL	1
3	471 812 116.01	SPINDAL HOUSING TYPE A.F. BEARING	1
3A	471 812 116.02	SPIND HOUSING B.F. THREAD BEARING	1
4	000 102 013-ET	SOC. SCREW M 6 X 70 DIN 912	4
5	000 102 319-ET	SOC. SCREW M 5 X 16 DIN 912	2
6	000 128 005.01-ET	NUT M 5 DIN 985	2

ITEM	NUMBER	DESCRIPTION	QTY
7	471 812 087	CHAIN GUARD STD.	1
8	471 812 090	CHAIN GUARD CARBON	1
9	000 102 319-ET	SOC. SCREW M 5 X 16 DIN 912	3
10	000 130 111-ET	WASHER A 5.3 DIN 125	3
11	000 138 001	RUBBER WASHER	5
12	000 282 041	CAP	1
12,13	471 812 125	HANDLE	1

# CRANKSHAFT / CHAINRING



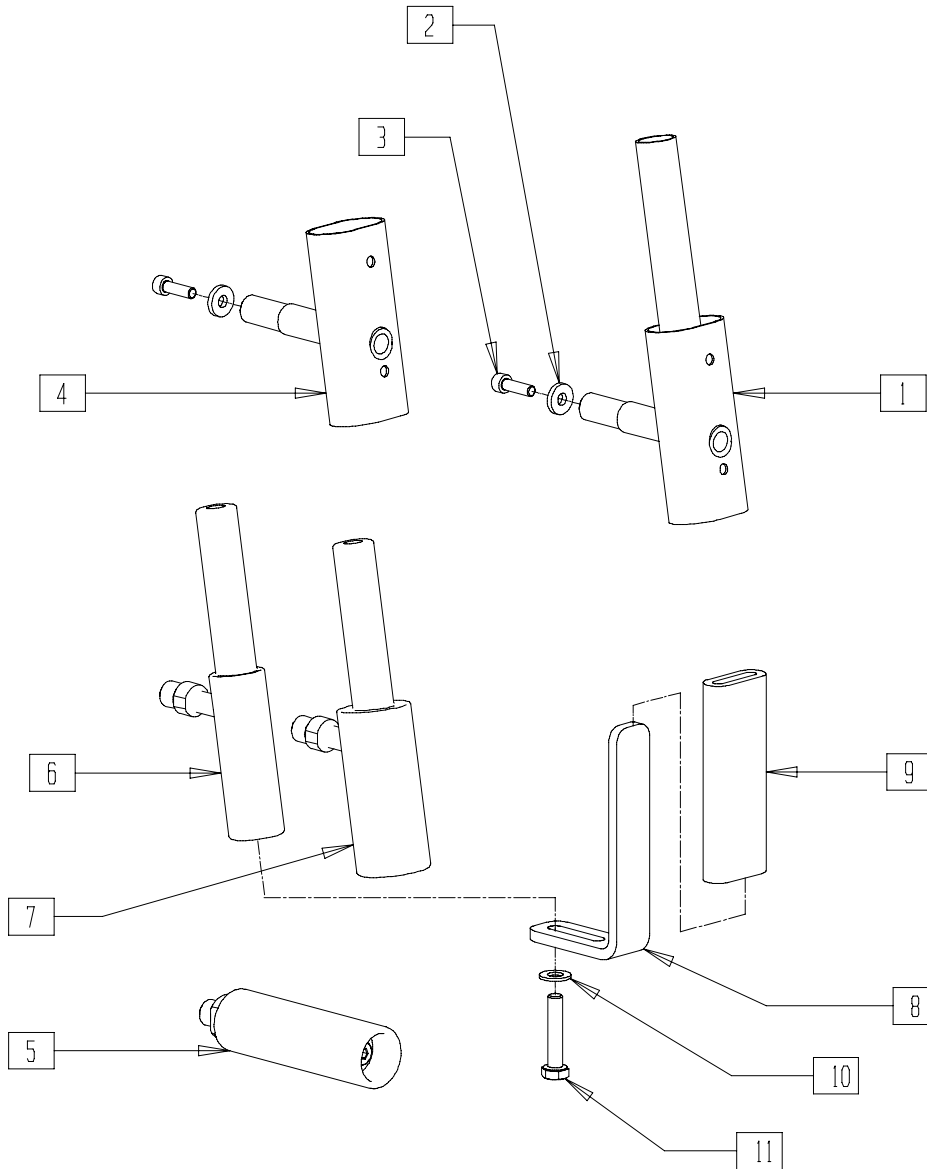
SHRXX08

ITEM	NUMBER	DESCRIPTION	QTY
1	471 854 051	CHAIN RINGS BRACKET SMALL (4 ARMS)	
1A	471 854 050	CHAIN RINGS BRACKET LARGE (5 ARMS)	
2	000 228 122	CHAIN RING 26 TEETH	
2A	000 228 123	CHAIN RING 30 TEETH	
3	000 228 124	CHAIN RING 36 TEETH	
3A	000 228 125	CHAIN RING 42 TEETH	

ITEM	NUMBER	DESCRIPTION	QTY
4	000 228 126	CHAIN RING 48 TEETH	
4A	000 228 127	CHAIN RING 52 TEETH	
5,6	000 228 128	CHAIN RING SCREW / NUT	
7	471 854 040	CRANK SHAFT	
8	000 210 015	BEARING 30 X 42 X 7 61806 2RS	
9	471 854 041	SPACER	



# HANDLES



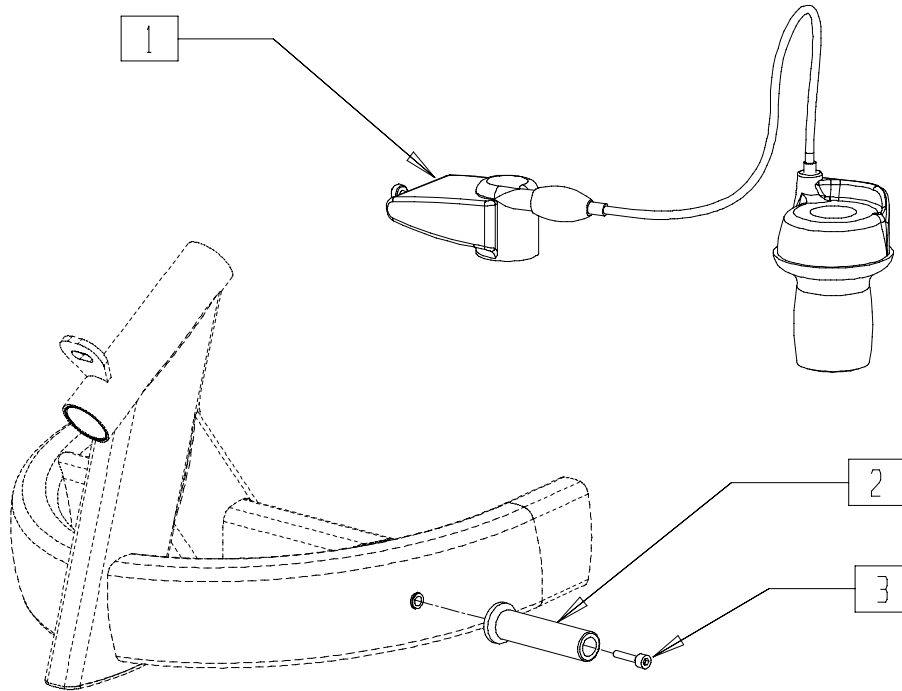
SHRXX07

ITEM	NUMBER	DESCRIPTION	QTY
1	471 854 006	VERTICAL SHIFTER HANDLE	1
2	000 130 121-ET	WASHER A 6,4 DIN 7349	2
3	000 102 029-ET	SOC. SCREW M 6 X 20 DIN 912	2
4	471 854 016	VERTICAL HANDLE	1
5	471 854 030	STANDARD HANDLE	1
	471 754 030	(EA)	
*6	470 812 079	ERGO HANDLE D= 30 MM,	1
	470 712 079	(EA)	

ITEM	NUMBER	DESCRIPTION	QTY
**7	470 812 078	ERGO HANDLE D= 40 MM,	1
	470 712 078	(EA)	
8	406 812 055	QUAD LEVER	1
9	000 281 013	SOFT HANDLE	1
10	000 130 108-ET	WASHER A 8,4 DIN 125	1
11	000 100 029-ET	HEX. SCREW M 8 X 30 DIN 933	1
8-11	406 812 047	QUAD LEVER CPL.	
1-3	471 812 102	VERTICAL SHIFTER HANDLE CPL.	
2-4	471 812 103	VERTICAL HANDLE CPL.	

\* QUAD LEVERS CAN BE USED WITH ITEM 6.  
 \*\*QUAD LEVERS CAN NOT BE USED WITH ITEM 7

# HUB SHIFTER

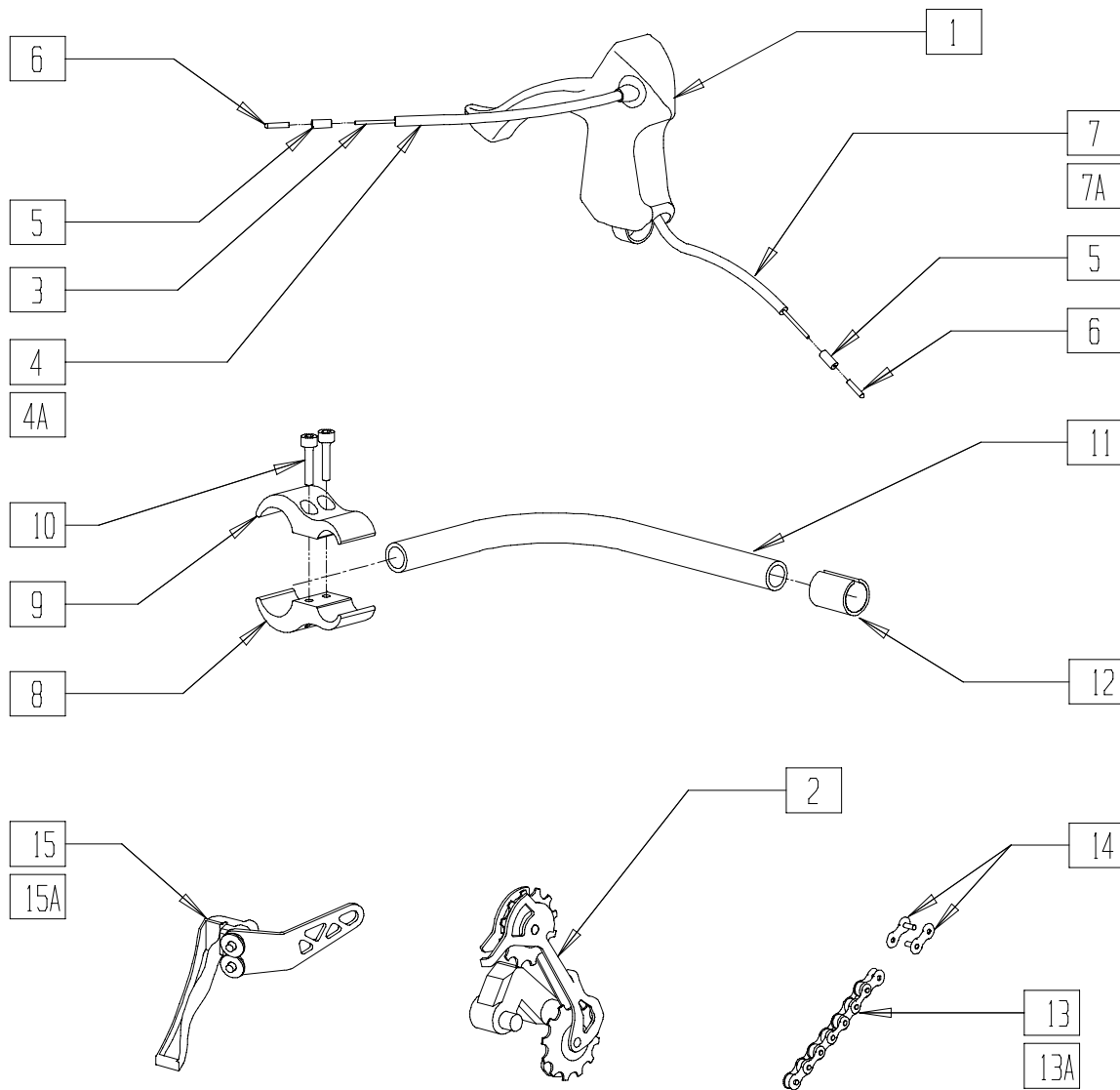


SHRKX18

ITEM	NUMBER	DESCRIPTION	QTY
1	000 228 046	SHIFTER F. 7-SPEED W. CLICKBOX CPL.	1
2	471 854 033	SHIFTER HOLDER F. FRAME MOUNTING	1

ITEM	NUMBER	DESCRIPTION	QTY
3	000 102 137-ET	SOC. SCREW M 6 X 25 DIN 912	1

# GEARING SYSTEM



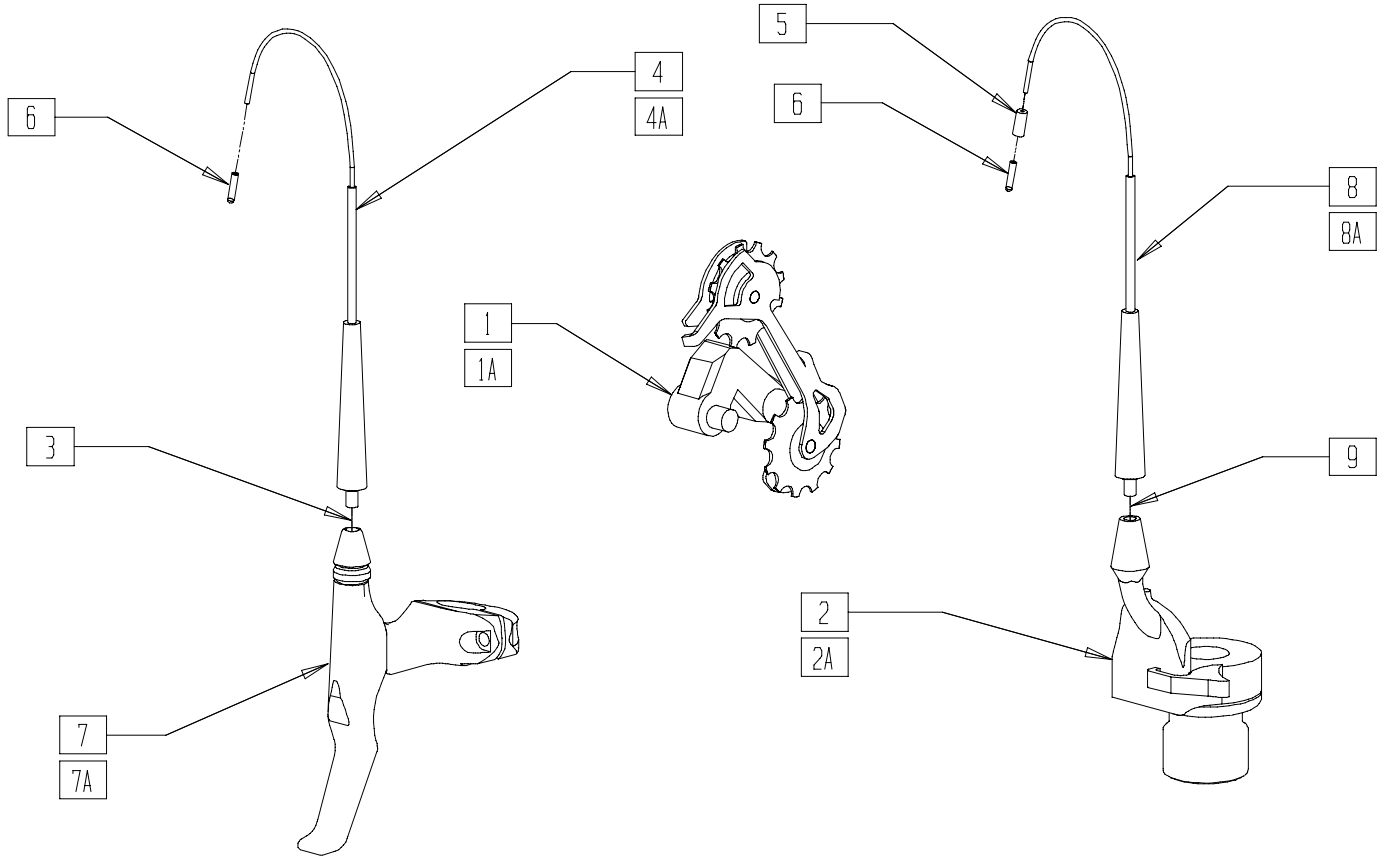
SHRKX19

ITEM	NUMBER	DESCRIPTION	QTY
1	000 220 076	STI INDEX SHIFTER SHIMANO ULTEGRA	1
2	000 220 077	REAR DERAILLEUR 9-SPEED SHIMANO XT	1
3	000 228 075-ET	SHIFTER CABLE	1
4*	471 858 006	SHFTR CBL HSNL HGH 900MM/760MM	1
4A	471 858 007	SHIFTER CABLE HOUSING LOW L=650MM	1
5	000 228 082-ET	CABLE HOUSING CAP	2
6	000 228 079-ET	CABLE CAP	2
7	471 858 008	SHIFTER CABLE HOUSING HIGH L= 760 MM	1
7A	471 858 009	SHIFTER CABLE HOUSING LOW L= 650 MM	1
8	615 821 003	CLAMP OUTSIDE	1
9	615 821 002	CLAMP INSIDE	1

ITEM	NUMBER	DESCRIPTION	QTY
10	000 102 137-ET	SOC. SCREW M 6 X 25 DIN 912	2
11	471 812 410	SHIFTER HOLDER	1
12	000 861 200	ADAPTER SLEEVE	1
13	471 854 100, 471 854 101	DRIVE CHAIN HIGH, 5-ARM L= 1795 MM (EA)	1
13A	471 854 102, 471 854 103	DRIVE CHAIN HIGH, 5-ARM L= 1470 MM (EA)	1
14	000 228 096-ET	CHAIN LINK	1
15	471 858 020	REAR DERAIL FORK HI CPL.	1
15A	471 858 021	REAR DERAIL LX FRK LO CPL.	
8-12	471 858 016	SHIFTER MOUNT AT FRONT FORK	

\* CABLE HOUSING MUST BE TRIMMED FOR 760MM APPLICATION.

# GEARING SYSTEM AND BRAKE



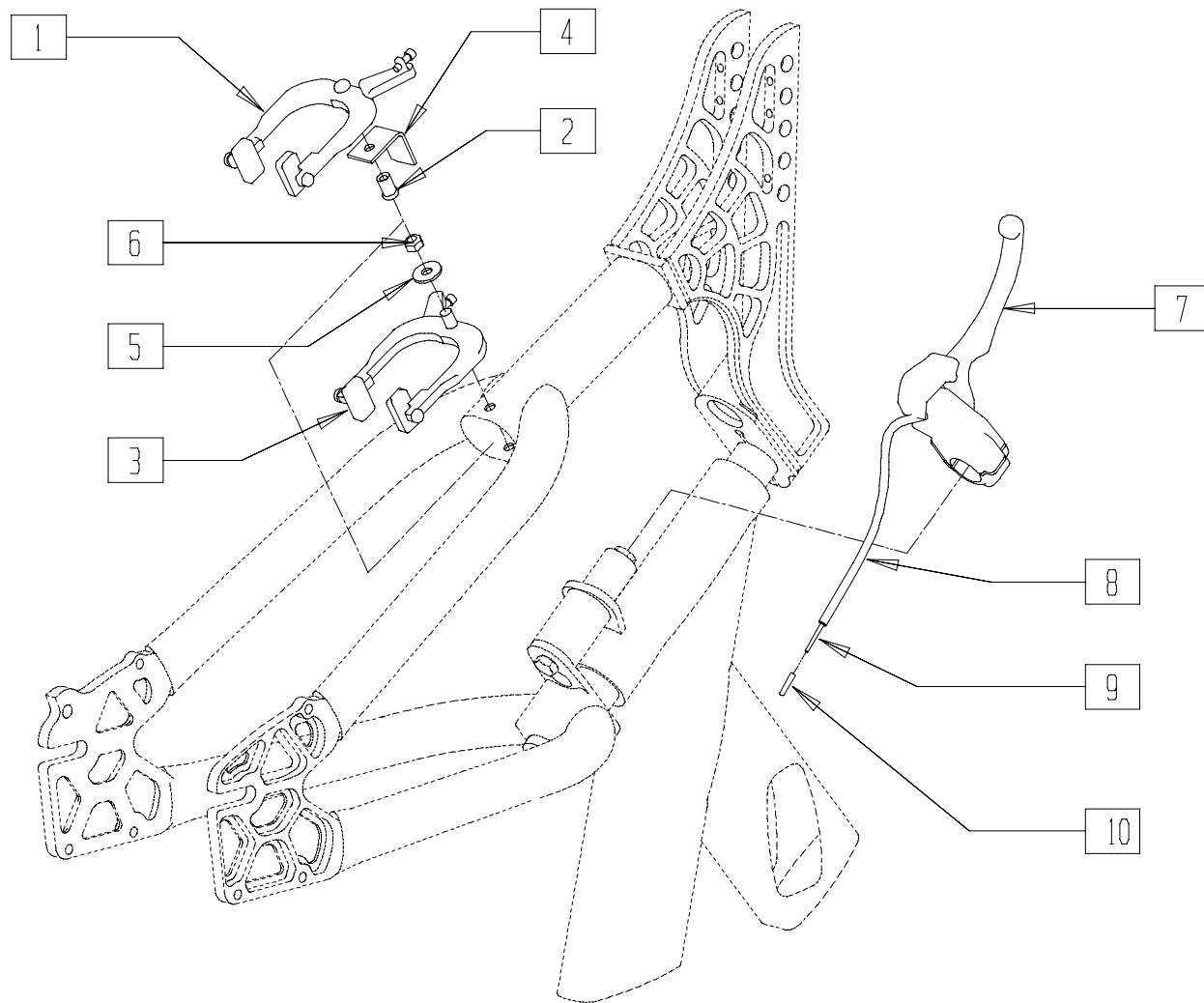
SHRXX20

ITEM	NUMBER	DESCRIPTION	QTY
1	000 228 298	REAR DERAILLEUR, 9-SPEED, SRAM X9	1
1A	000 228 101	REAR DERAILLEUR, 9-SPEED, SRAM 5.0	1
2	000 228 299	GRIP SHIFT - SHIFTER, SRAM 5.0	1
2A	000 228 206	GRIP SHIFT - SHIFTER, SRAM X9	1
3	000 228 076-ET	BRAKE CABLE	1
4	471 858 003	SHIFTER CABLE HOUSING L= 1020 MM	1
4A	471 858 005	SHIFTER CABLE HOUSING L= 870 MM	1
5	000 228 082-ET	CABLE HOUSING CAP	1

ITEM	NUMBER	DESCRIPTION	QTY
6	000 228 079-ET	CABLE CAP	2
7	000 762 005	BRAKE LEVER SRAM 5.0	1
7A	000 762 002	BRAKE LEVER SRAM 9.0	1
8	471 858 002	SHIFTER CABLE HOUSING L= 1570 MM	1
8A*	471 858 006	SHFTR CBL HSNG HGH 900MM/760MM	1
9	000 228 075-ET	SHIFTER CABLE	1
3-7,9-11	470 813 030	SPARE KITS: SHIFT / BRAKE CABLES	

\* CABLE HOUSING MUST BE TRIMMED FOR 760MM APPLICATION.

# BRAKE

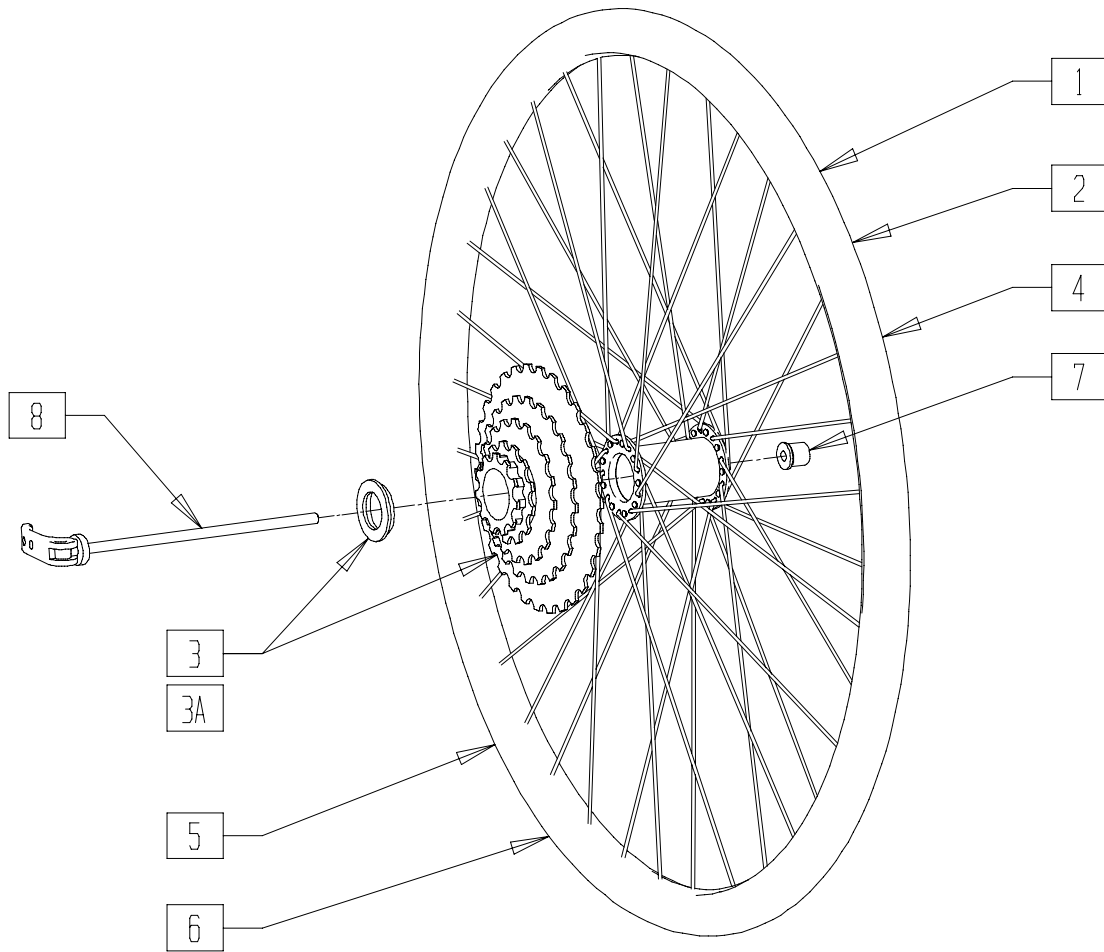


SHRXX02

ITEM	NUMBER	DESCRIPTION	QTY
1,2	000 228 014	CALIPER BRAKE SHIMANO ULTEGRA	1
3	000 228 019	CALIPER BRAKE SHIMANO TIAGRA	1
3A	000 228 054	CALIPER BRAKE F. 7-SPEED	
4	471 861 001	BRAKE BRACKET	1
5	000 130 116-ET	WASHER A 6,4 DIN 9021	1

ITEM	NUMBER	DESCRIPTION	QTY
6	000 128 007-ET	NUT M 6 DIN 985	1
7	000 228 022	BRAKE LEVER	1
8	000 228 077	HOUSING BRAKE L= 340 MM	1
9	000 228 076-ET	BRAKE CABLE	1
10	000 228 079-ET	BRAKE CABLE END CAP	1

# DRIVE WHEEL WITH EXTERNAL CASSETTE

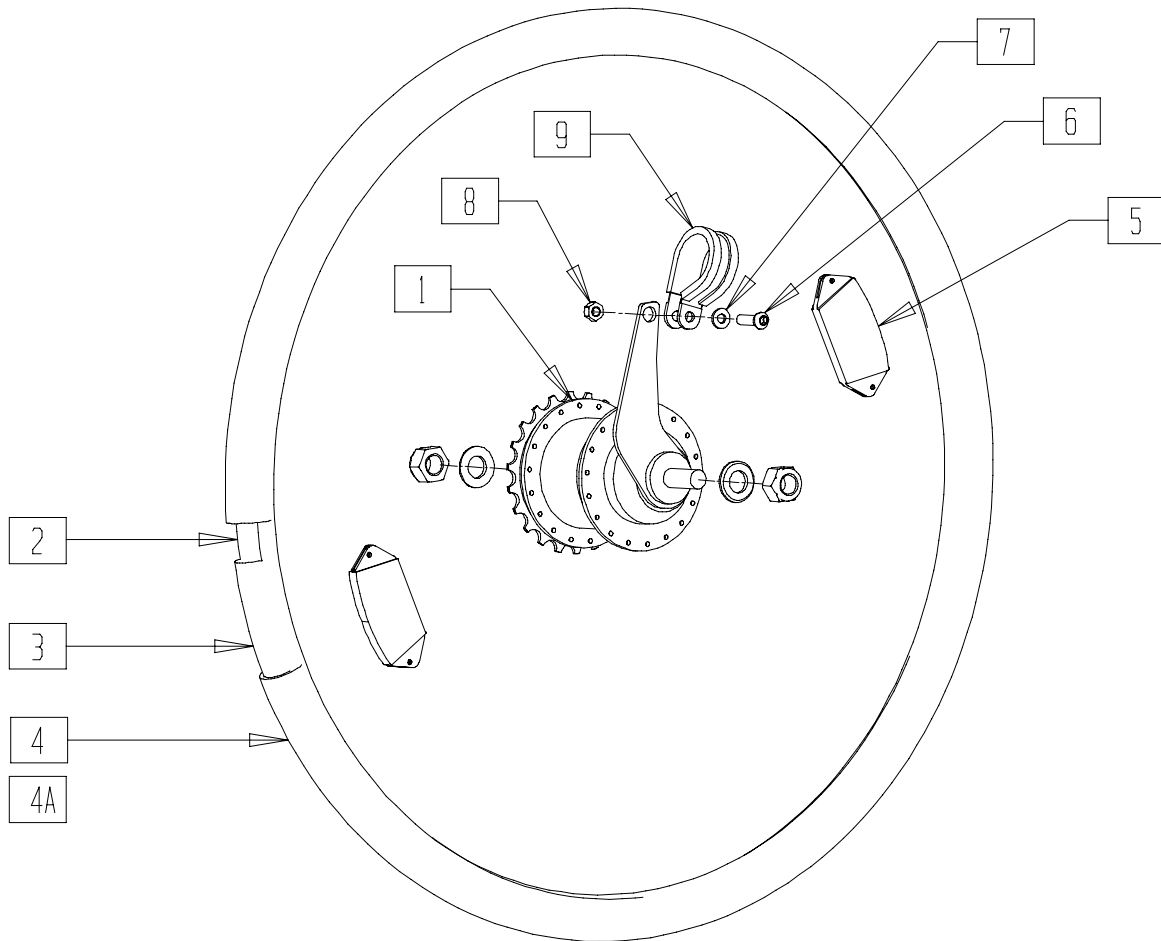


SHRKX13

ITEM	NUMBER	DESCRIPTION	QTY
1	000 223 154	RIM BAND 26"	1
2	000 283 108	AIR TUBE 26" , 20-571	1
3	000 228 100	SHARK-S: CASSETTE 9-SPD, SRAM PG990	1
3A	000 228 061	SHARK: CASSETTE 9-SPD, SRAM PG950	1

ITEM	NUMBER	DESCRIPTION	QTY
4	000 283 043	TIRE 26", 25-559	1
7,8	000 233 006	WHEEL SPANNER	1
1,2,5-8	000 850 333	DRIVE WHEEL 26" ; HUB: DT240S	
	000 850 331	DRIVE WHEEL 26" ; HUB: SHIMANO DEORE	

# DRIVE WHEEL WITH INTERNAL CASSETTE AND DRUM BRAKE

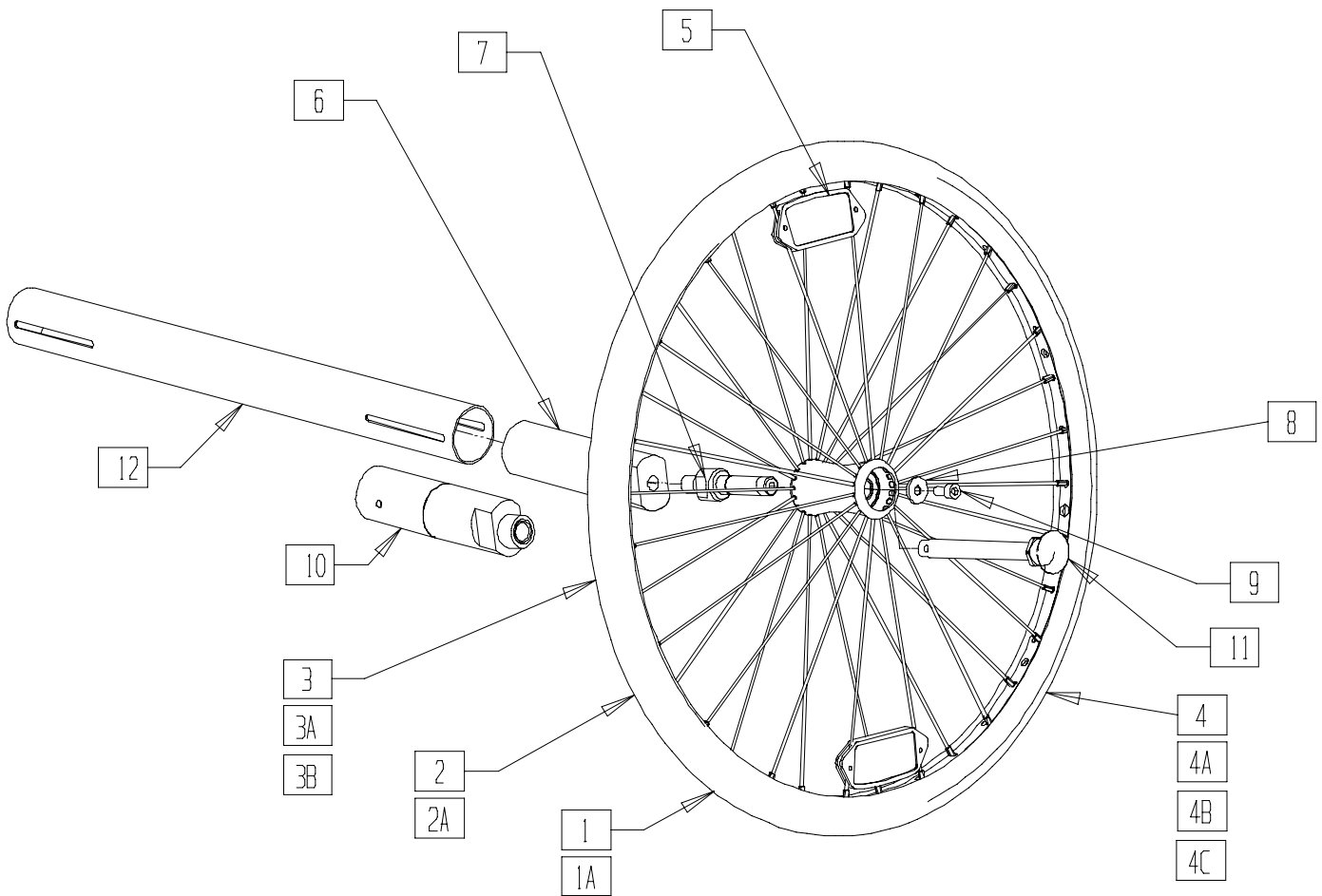


SHRXX12

ITEM	NUMBER	DESCRIPTION	QTY
1	000 850 338	DRIVE WHEEL 26" (559) 7-SPEED HUB CPL.	
2	000 283 154	RIM BAND 26"	
3	000 283 108	AIR TUBE 26", 20-571	
4	000 283 045	TIRE 26" X 1.35	
4A	000 283 043	TIRE 26" X 1.10	

ITEM	NUMBER	DESCRIPTION	QTY
5	000 280 001-ET	SPOKE REFLECTOR	
6	000102307.01-ET	BUTTON HEAD M 6 X 20 TORX	
7	000 130 128-ET	PLASTIC WASHER 15 X 6,4 X 4 PA	
8	000 128 007-ET	NUT M 6 DIN 985	
9	000 223 037	HOSE CLAMP 30 X 15 MM	

# REAR WHEEL



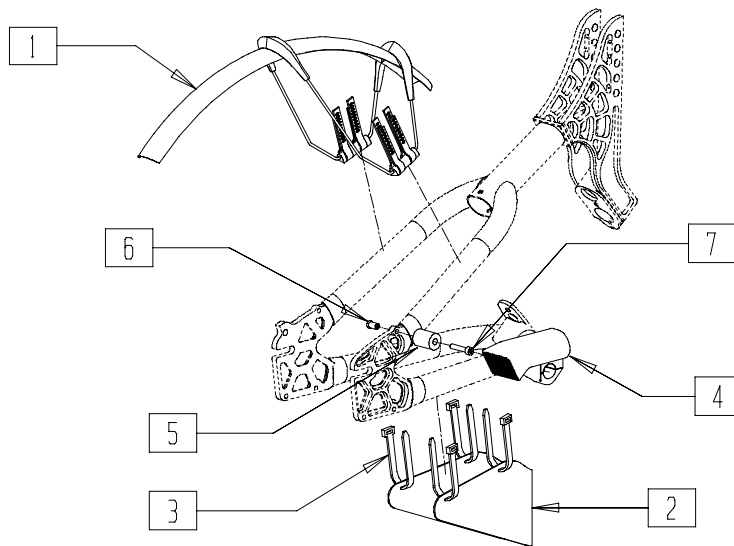
SHRXX11

ITEM	NUMBER	DESCRIPTION	QTY
1	000 850 100	REAR WHL 20" W. DESIGN HUB (W/O. TIRE)	1
1A	000 850 340	REAR WHL 26" W. DESIGN HUB (W/O. TIRE)	1
2	000 283 159	RIM BAND 20"	1
2A	000 283 154	RIM BAND 26"	1
3	000 283 106	AIR TUBE 20" 28/32-406/451	1
3A	000 283 108	AIR TUBE 26", 20-571	1
3B	000 283 103	AIR TUBE 26" X 1 3/8"	1
4	000 283 042	TIRE 20" X 1 1/8", 28-406	1
4A	000 283 046	TIRE 20" X 1.35", 35-406	1
4B	000 283 043	TIRE 26" X 1.10", 28-559	1
4C	000 283 045	TIRE 26" X 1.35", 35-559	1
5	000 280 001-ET	SPOKE REFLECTOR	2

ITEM	NUMBER	DESCRIPTION	QTY
6	471 853 001	AXLE SLEEVE 10° F. STEM	1
7	471 853 502	STEM	1
8	000 130 116-ET	WASHER A 6,4 DIN 125	1
9	000 102 002-ET	SOC. SCREW M 6 X 12 DIN 912	1
10	615 853 001.03	AXLE SLEEVE 10° F. QR AXLE	1
11	000 220 299	QR AXLE F. DESIGN WHEEL	1
12	471 853 003	AXLE TUBE	1
1-5	000 850 173	REAR WHEEL 20" TIRE 20" X 1 1/8"	
1-3,4A	000 850 174	REAR WHEEL 20" TIRE 20" X 1 1.35"	
1A,3A,4B	000 850 175	REAR WHEEL 26" TIRE 26" X 1 1/8"	
1A,2A,3B,4C	000 850 176	REAR WHEEL 26" TIRE 26" X 1 1.35"	



# FRONT FENDER AND LIGHT

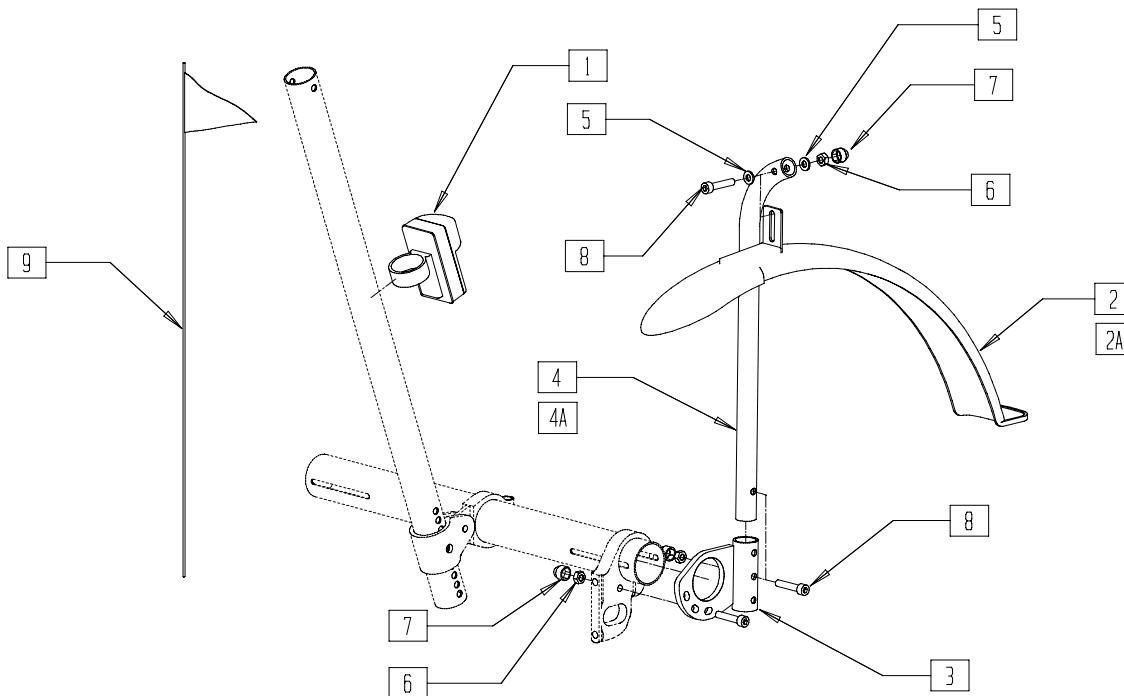


SHRXX23

ITEM	NUMBER	DESCRIPTION	QTY
1	000 228 302	FENDER FRONT	1
2	471 853 020	FENDER REAR	1
3	000 280 010-ET	ZIP TIE 178 MM X 4.8 MM	4
4	000 228 041	HEAD LIGHT FL 100	1

ITEM	NUMBER	DESCRIPTION	QTY
5	471 861 002	CLAMPING TUBE	1
6	840 826 007	SOCKET NUT	1
7	000 102 012-ET	SOC. SCREW M 6 X 30 DIN 912	1
4-7	471 812 304	HEAD LIGHT CPL.	

# REAR FENDER AND LIGHT



SHRXX22

ITEM	NUMBER	DESCRIPTION	QTY
1	000 228 115	REAR LIGHT	1
2	000 228 303	FENDER REAR 20"	2
2A	000 228 304	FENDER REAR 26"	2
3	471 853 011, 471 753 011	BUMPER / FENDER BRACKET (EA)	2
4	471 853 009.02	FENDER HOLDER 26"	2
4A	471 853 009.01	FENDER HOLDER 20"	2

ITEM	NUMBER	DESCRIPTION	QTY
5	000 130 107-ET	WASHER A 6.3 DIN 125	4
6	000 128 007-ET	HEX. NUT M 6 DIN 985	2
7	000 282 063-ET	NUT CAP F. M 6	2
8	000 102 012-ET	SOC. SCREW M 6 X 30 DIN 912	2
9	000 228 229	SIGNAL FLAG	1
2-7	471 812 305, 471 812 306	FENDER REAR 20" CPL. FENDER REAR 26" CPL.	



[www.sunrisemedical.com](http://www.sunrisemedical.com)

**Sunrise Medical**  
7477 East Dry Creek Parkway  
Longmont, CO 80503  
303.218.4600  
800.333.4000  
800.263.3390 in Canada

© 2005 Sunrise Medical  
931017 Rev A